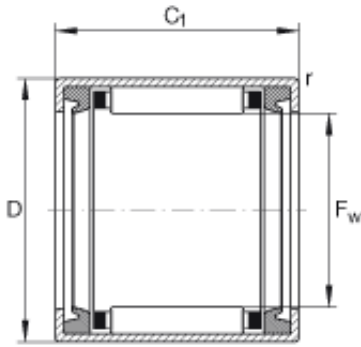




Bearing Argentina, S.A.



RE25025UUC0SP5 / RE25025UUC0S Crossed Roller Bearing 250x310x25mm

Bearing No. HK0812-2RS

HK0812-2RS Bearing 2D drawings and 3D CAD models

Size	8x12x12 mm
Bore Diameter	8 mm
Outer Diameter	12 mm
Width	12 mm
F_w	8 mm
D	12 mm
C_1 - 12 mm / Tolerance: -0,3	12 mm / Tolerance: 0,3
r_{min}	0,4 mm
m	3,3 g / Weight
C_r	2750 N / Dynamic load rating (radial)
C_{0r}	2600 N / Static load rating (radial)
C_{ur}	290 N / Fatigue limit load, radial
$n_{G\text{Fett}}$	20000 1/min / Limiting speed for grease lubrication
Category	Needle Non Thrust Roller Bearings
Inventory	31.0
Manufacturer Name	SCHAEFFLER GROUP
Minimum Buy Quantity	N/A
Weight / Kilogram	0.007
EAN	4054364120399
Product Group	B04144
Rolling Element	Needle Roller Bearing



Bearing Argentina, S.A.

Component	Roller Assembly with Outer Ring - No Inner Ring
Enclosure	2 Seals
Self Aligning	No
Retainer	Yes
Number of Rows of Rollers	Single Row
Separable	No
Closed End	No
Inch - Metric	Metric
Relubricatable	No
Thrust Bearing	No
Long Description	8MM Bore; 12MM Outside Diameter; 12MM Width; Needle Roller Bearing; Roller Assembly with Outer Ring - No Inner Ring; 2 Seals Enclosure; No Self Aligning; Retainer; Single Row of Rollers; No Separable;
Other Features	2 Rib Outer Ring Drawn Cup Bearing Steel Cage
Category	Needle Non Thrust Roller Bearing
UNSPSC	31171512
Harmonized Tariff Code	8482.40.00.00
Noun	Bearing
Keyword String	Needle
Manufacturer URL	http://www.ina.com
Manufacturer Item Number	HK08122RS
Weight / LBS	0.007
Outside Diameter	0.472 Inch 12 Millimeter
Bore	0.315 Inch 8 Millimeter
Width	0.472 Inch 12 Millimeter