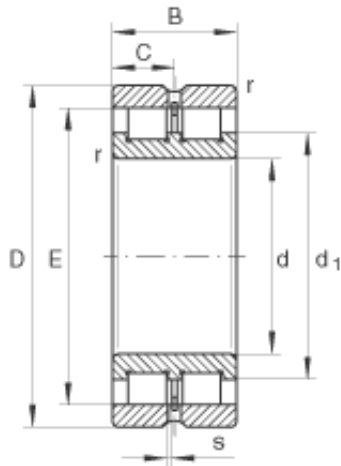




Bearing Argentina, S.A.



100 mm x 140 mm x 40 mm RA5008UUC1
Separable Outer Ring Crossed Roller Bearing
50x66x8mm

Bearing No. sI024920

sI024920 Bearing 2D drawings and 3D CAD models

Size	100x140x40 mm
Bore Diameter	100 mm
Outer Diameter	140 mm
Width	40 mm
d	100 mm
D	140 mm
B	40 mm
C	20 mm
d ₁	116,4 mm
E	129,6 mm
r _{min}	1,1 mm
s	2 mm / Axial displacement
	NNCL4920V / Designation to DIN 5412
m	1,9 kg / Weight
C _r	191000 N / Dynamic load rating (radial)
C _{0r}	370000 N / Static load rating (radial)
C _{ur}	47500 N / Fatigue limit load, radial
n _G	2700 1/min / Limiting speed
Category	Cylindrical Roller Bearings
Inventory	0.0
Manufacturer Name	SCHAEFFLER GROUP



Bearing Argentina, S.A.

Minimum Buy Quantity	N/A
Weight / Kilogram	1.921
Product Group	B04144
Bore Profile	Straight
Cage Material	None
Precision Class	RBEC 1 ISO P0
Number of Rows of Rollers	Double Row
Separable	Outer Ring - Both Sides
Rolling Element	Cylindrical Roller Bearing
Profile	Complete with Outer and Inner Ring
Snap Ring	No
Internal Clearance	C0-Medium
Retainer	No
Relubricatable	Yes
Inch - Metric	Metric
Other Features	Full Complement 3 Rib Inner Ring Plain Outer Ring Operating Temperature From -30 to 120 Deg
Long Description	100MM Bore; Straight Bore Profile; 140MM Outside Diameter; 40MM Width; RBEC 1 ISO P0; Double Row; Outer Ring - Both Sides Separable; No Snap Ring; Relubricatable; C0-Medium Internal Clearance; No Re
Category	Cylindrical Roller Bearing
UNSPSC	31171547
Harmonized Tariff Code	8482.50.00.00
Noun	Bearing
Manufacturer URL	http://www.ina.com
Manufacturer Item Number	SL024920



Bearing Argentina, S.A.

Weight / LBS	5.016
Outside Diameter	5.512 Inch 140 Millimeter
Bore	3.937 Inch 100 Millimeter
Width	1.575 Inch 40 Millimeter